

IMPORTANT SAFETY RULES

**Read, Understand, and Follow all
Instructions Carefully before
Installing and using this Product.**

Pool Ladder

This ladder is designed and manufactured for a specific pool wall height.

**36" (91 cm), 42" (107 cm) & 48" (122 cm)
models**



For illustrative purposes only. Pool is not provided.

Don't forget to try these other fine Intex products: Pools, Pool Accessories, Inflatable Pools and In-Home Toys, Airbeds and Boats available at fine retailers or visit our website.

INTEX®

**IMPORTANT!
DO NOT RETURN PRODUCT TO STORE**

To purchase parts and accessories or to obtain non-technical assistance,
Visit www.intexcorp.com

For technical assistance and missing parts call us toll-free (for U.S. and Canadian Residents):

1-800-234-6839

Monday through Friday, 8:30am to 5:00pm Pacific Time

091PO-R0-0905

OWNER'S MANUAL

TABLE OF CONTENTS

Warnings.....	3
Parts List & Reference.....	4-6
Set Up Instructions.....	7-10
General Aquatic Safety.....	11
Pool Safety Sign.....	12

IMPORTANT SAFETY RULES

Read, Understand and Follow All Instructions Carefully Before Installing and Using this Product.

⚠ WARNING

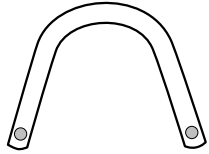
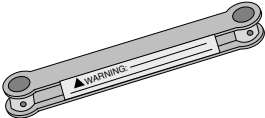
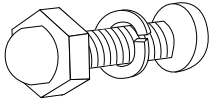
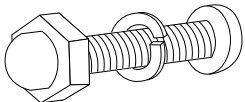
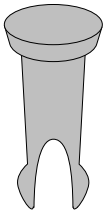

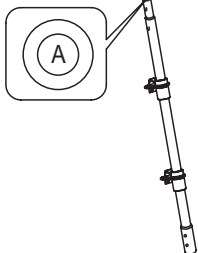
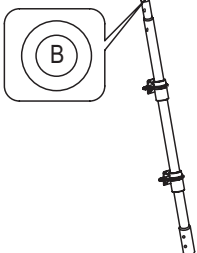
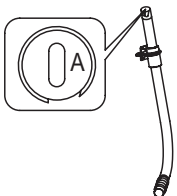
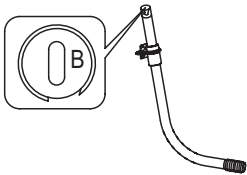
- Always supervise children and those with disabilities at all times.
- Never dive or jump from this ladder.
- Locate the ladder on a level, solid base.
- One person on this ladder at a time.
- Maximum load: 300 lbs (136 kg).
- Face the ladder at all times for entry/exit of pool.
- Remove and secure ladder when pool is not occupied.
- Do not swim under, through or behind ladder.
- Check all nuts and bolts regularly to ensure ladder stays sturdy.
- If swimming at night use artificial lighting to illuminate all safety signs, ladders, pool floor and walkways.
- Assembly and disassembly by adults only.
- Only use this ladder for purposes described in this manual.

FAILURE TO FOLLOW THESE WARNINGS MAY RESULT IN BROKEN BONES, ENTRAPMENT, PARALYSIS, DROWNING OR OTHER SERIOUS INJURY.

These product warnings, instructions and safety rules provided with the product represent some common risks of water recreation devices and do not cover all instances of risk and danger. Please use common sense and good judgment when enjoying any water activity.

PARTS LIST

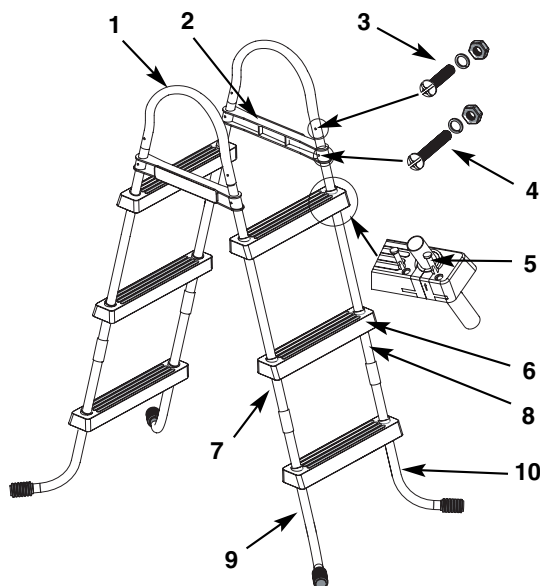
PARTS LIST

<p>1</p> 	<p>2</p> 	<p>3</p> 
<p>4</p> 	<p>5</p> 	<p>6</p> 
<p>7</p> 	<p>8</p> 	<p>9</p> 
<p>10</p> 		

NOTE: Drawings for illustration purpose only. May not reflect actual product. Not to scale.

PARTS REFERENCE

Before assembling your product, please take a few minutes to check the contents and become familiar with all the parts.



36" (91 cm) & 42" (107 cm) models

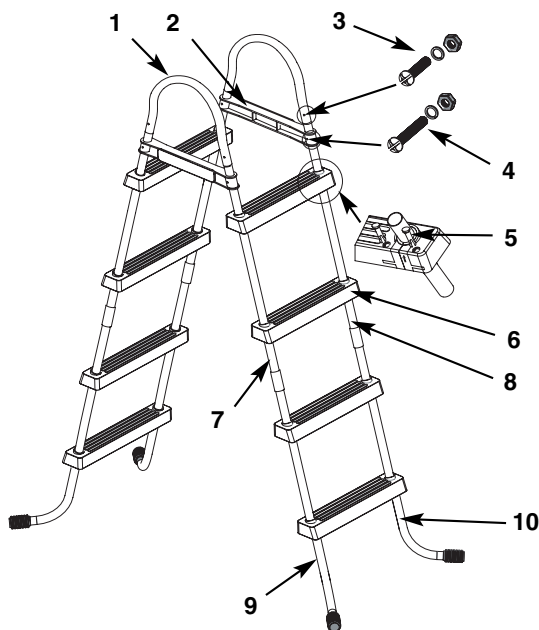
NOTE: Drawings for illustration purpose only. May not reflect actual product. Not to scale.

REF. NO.	DESCRIPTION	LADDER SIZE & QUANTITY	
		36"	42"
1	U-SHAPED TOP RAIL	2	2
2	TOP BRACE	2	2
3	SHORT FASTENER FOR U-SHAPED TOP RAIL (WITH 1 EXTRA)	5	5
4	LONG FASTENER FOR TOP BRACE (WITH 1 EXTRA)	5	5
5	STEP MOUNTING PIN (WITH 2 EXTRA)	26	26
6	STEP	6	6
7	UPPER SIDE LEG ("A" ENGRAVED ON TOP CAP)	2	2
8	UPPER SIDE LEG ("B" ENGRAVED ON TOP CAP)	2	2
9	LOWER J-SHAPED SIDE LEG ("A" ENGRAVED ON TOP CAP)	2	2
10	LOWER J-SHAPED SIDE LEG ("B" ENGRAVED ON TOP CAP)	2	2

REF. NO.	DESCRIPTION	SPARE PART NO.	
		36"	42"
1	U-SHAPED TOP RAIL	11128	11164
2	TOP BRACE	11094	11094
3	SHORT FASTENER FOR U-SHAPED TOP RAIL (WITH 1 EXTRA)	10228	10228
4	LONG FASTENER FOR TOP BRACE (WITH 1 EXTRA)	10227	10227
5	STEP MOUNTING PIN (WITH 2 EXTRA)	10349	10349
6	STEP	10348	10348
7	UPPER SIDE LEG ("A" ENGRAVED ON TOP CAP)	11091A	11162A
8	UPPER SIDE LEG ("B" ENGRAVED ON TOP CAP)	11091B	11162B
9	LOWER J-SHAPED SIDE LEG ("A" ENGRAVED ON TOP CAP)	10895A	11163A
10	LOWER J-SHAPED SIDE LEG ("B" ENGRAVED ON TOP CAP)	10895B	11163B

PARTS REFERENCE (continued)

Before assembling your product, please take a few minutes to check the contents and become familiar with all the parts.



48" (122 cm) model

NOTE: Drawings for illustration purpose only. May not reflect actual product. Not to scale.

REF. NO.	DESCRIPTION	QUANTITY
1	U-SHAPED TOP RAIL	2
2	TOP BRACE	2
3	SHORT FASTENER FOR U-SHAPED TOP RAIL (WITH 1 EXTRA)	5
4	LONG FASTENER FOR TOP BRACE (WITH 1 EXTRA)	5
5	STEP MOUNTING PIN (WITH 2 EXTRA)	34
6	STEP	8
7	UPPER SIDE LEG ("A" ENGRAVED ON TOP CAP)	2
8	UPPER SIDE LEG ("B" ENGRAVED ON TOP CAP)	2
9	LOWER J-SHAPED SIDE LEG ("A" ENGRAVED ON TOP CAP)	2
10	LOWER J-SHAPED SIDE LEG ("B" ENGRAVED ON TOP CAP)	2

REF. NO.	DESCRIPTION	SPARE PART NO.	
		#58974	#10903
1	U-SHAPED TOP RAIL	11167	11171
2	TOP BRACE	11168	11172
3	SHORT FASTENER FOR U-SHAPED TOP RAIL (WITH 1 EXTRA)	10810	10810
4	LONG FASTENER FOR TOP BRACE (WITH 1 EXTRA)	10227	10227
5	STEP MOUNTING PIN (WITH 2 EXTRA)	10349	10913
6	STEP	10348	10914
7	UPPER SIDE LEG ("A" ENGRAVED ON TOP CAP)	11165A	11169A
8	UPPER SIDE LEG ("B" ENGRAVED ON TOP CAP)	11165B	11169B
9	LOWER J-SHAPED SIDE LEG ("A" ENGRAVED ON TOP CAP)	11166A	11170A
10	LOWER J-SHAPED SIDE LEG ("B" ENGRAVED ON TOP CAP)	11166B	11170B

LADDER SET UP

These assembly instructions are the same for the 3-step and 4-step ladders. The assembly drawings show the 3-step ladder.

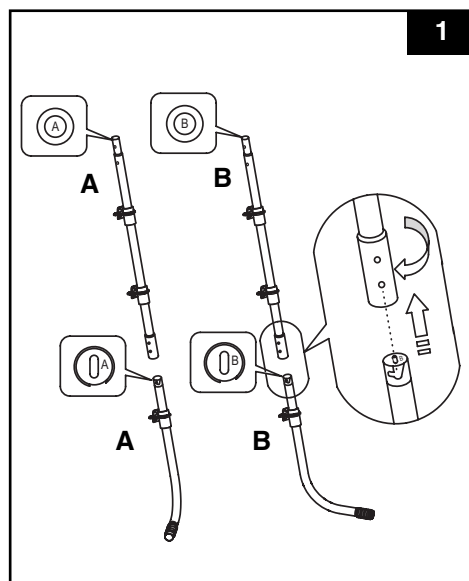
TOOLS REQUIRED: One (1) Phillips screwdriver

One (1) pair of pliers or a small adjustable wrench

IMPORTANT: Do not fully tighten fasteners until last assembly operation.

1. LEG INSTALLATION

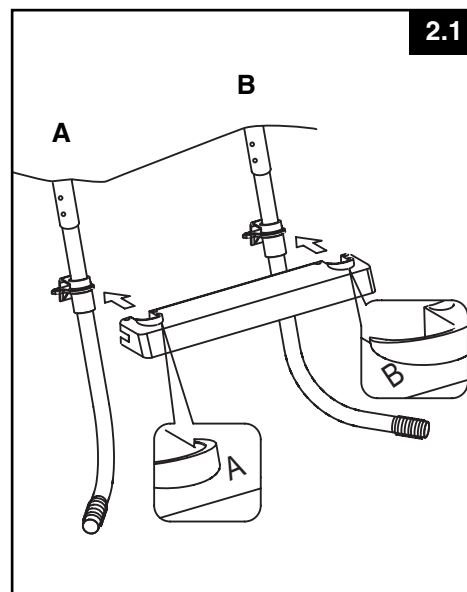
Figure 1: Match the "A" upper legs (7) with the "A" lower legs (9). Match the "B" upper legs (8) with the "B" lower legs (10). Align the notch on the "A" upper leg with the groove on the "A" lower leg. Insert lower leg into upper leg and turn the upper leg clockwise to secure the upper leg to the lower leg. Repeat sequence with the remaining set of "A" legs and "B" legs.



2. STEP INSTALLATION

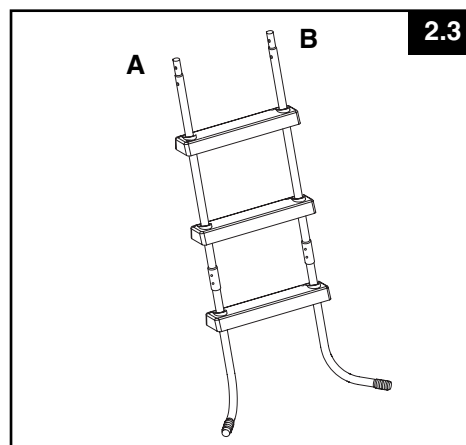
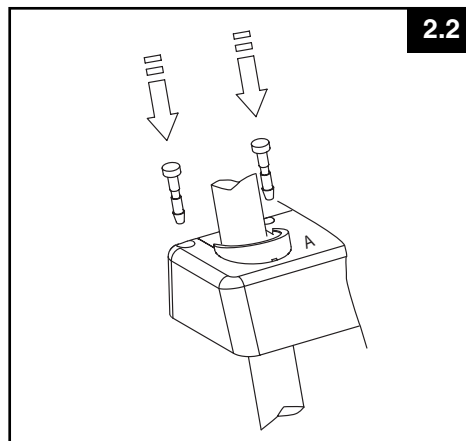
Figure 2.1: The pool ladder legs have the step mounting fixtures installed at the factory. Slip the step (6) onto the mounting fixture, matching the direction of the arrow on the back of the mounting fixture with the top of the step. Ensure the back of the step is flush with the mounting fixture otherwise the step will be installed upside-down.

IMPORTANT: During assembly, the "A" legs fit into the "A" step holes, and "B" legs fit into "B" step holes.



LADDER SET UP (continued)

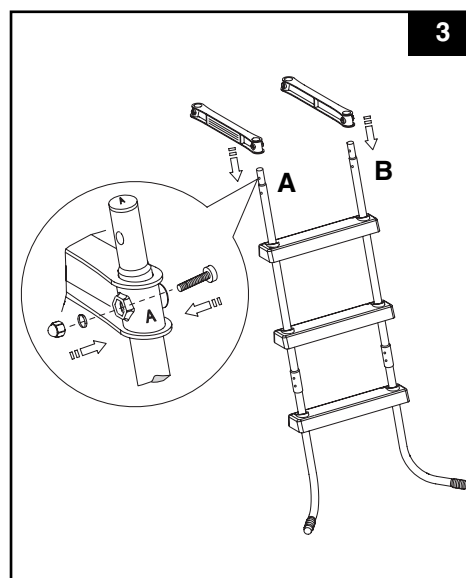
Figure 2.2: Push the step mounting pins (5) into the holes securing the step to the mounting fixture. When finished your steps and legs should resemble figure 2.3.



3. TOP BRACE INSTALLATION (ONE SIDE AT A TIME)

Figure 3: Slide the top brace (2) "A" hole onto the "A" Leg. Locate the second top brace and slide "B" hole onto "B" leg. Fasten top brace to leg using fasteners (4) as shown in figure 3.

IMPORTANT: Do not connect both sides of the ladder to the top brace at this time.



LADDER SET UP (continued)**4. U-SHAPED TOP RAIL INSTALLATION**

Figure 4: Install the U-Shaped top rails (1) onto the legs above the top brace (2) as shown and connect with fasteners (3).

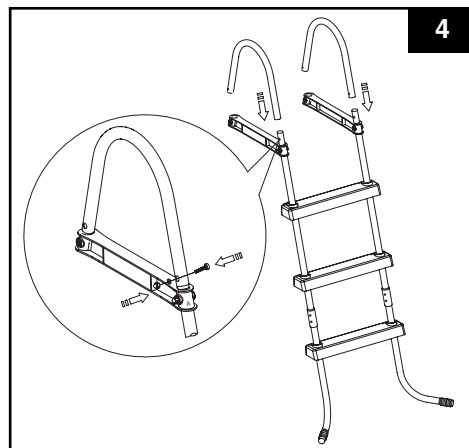
**5. FINAL ASSEMBLY**

Figure 5: With all the top rail and top brace holes in alignment, from the underside, slide the remaining ladder portion into its proper position. Make sure that the "A" Leg is matched to the "A" hole in the top brace and the "B" Leg is matched to the "B" hole in the top brace. Fasten securely with the (4) and (3) fasteners. Fully tighten all fasteners and apply downward pressure to each step to be sure they are fully anchored in place. The ladder is now ready to use.

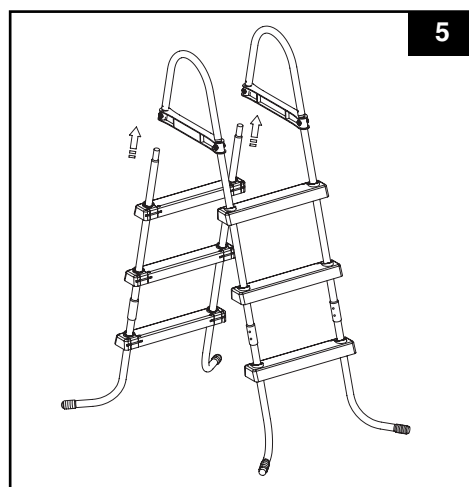
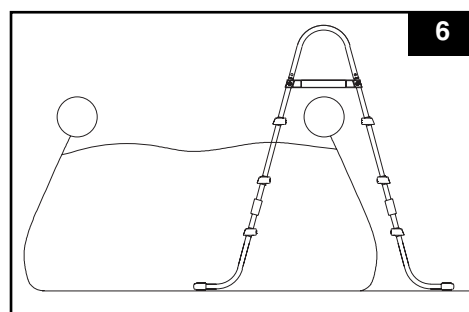
**6. INSTALLATION OF LADDER IN POOL**

Figure 6: Locate one side of the ladder inside the pool and the other side outside of the pool.

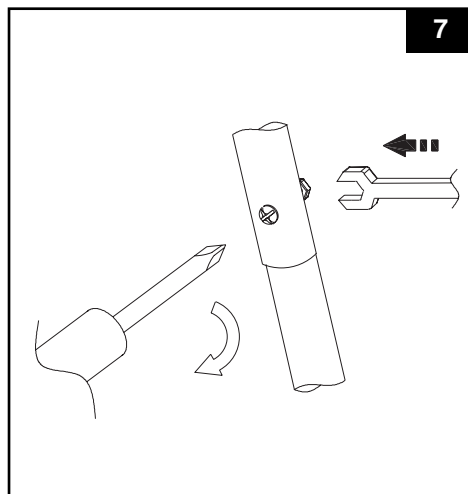
**⚠ WARNING**

- Locate ladder on a level, solid base.
- Remove and secure ladder away from the pool when the pool is not in use to prevent unauthorized, unintentional or unsupervised pool entry.

LADDER SET UP (continued)

7. MAINTENANCE

Figure 7: Periodically check all nuts, bolts (figure 7), step mounting fixtures, and step mounting pins to ensure the ladder stays sturdy.



⚠ WARNING

- Check all nuts and bolts regularly to ensure ladder stays sturdy.

This ladder is designed and manufactured for Intex pool wall height:

Item #	Pool Wall Height
58972	36" (91 cm)
58973	42" (107 cm)
58974 (white & blue)	48" (122 cm)
10903 (silver & white)	48" (122 cm)

SAVE THE CARTON FOR STORAGE AND THE INSTRUCTIONS FOR RE-ASSEMBLY

GENERAL AQUATIC SAFETY

Water recreation is both fun and therapeutic. However, it involves inherent risks of injury and death. To reduce your risk of injury, read and follow all product, package and package insert warnings and instructions. Remember, however, that product warnings, instructions and safety guidelines cover some common risks of water recreation, but do not cover all instances or risk and or danger.

For additional safeguards, also familiarize yourself with the following general guidelines as well as guidelines provided by nationally recognized Safety Organizations:

- Demand constant supervision.
- Learn to swim.
- Take the time to learn CPR and first aid.
- Instruct anyone who is watching your children about potential pool hazards and about the use of protective devices such as locked doors, barriers, etc.
- Teach children what to do in case of an emergency.
- Always use common sense and good judgement when enjoying any water activity.
- Supervise, Supervise, Supervise.

For additional information on safety, please visit

- **The Association of Pool and Spa Professionals: The Sensible Way to Enjoy Your Aboveground/Onground Swimming Pool** www.nspi.org
- **American Academy of Pediatrics: Pool Safety for Children** www.aap.org
- **Red Cross** www.redcross.org
- **Safe Kids** www.safekids.org
- **Home Safety Council: Safety Guide** www.homesafetycouncil.org
- **Toy Industry Association: Toy Safety** www.toy-tia.org

SAFETY IN YOUR POOL

Safe swimming depends on constant attention to the rules. The "NO DIVING" sign within this manual can be posted near your pool to help keep everyone alert to the danger. You may also wish to copy and laminate the sign for protection from the elements.

POST THIS WARNING NEAR YOUR POOL

! DANGER

**NO DIVING OR JUMPING
SHALLOW WATER**

DIVING MAY RESULT IN PERMANENT INJURY OR DEATH

- Be Safe. Swim with a friend.
- Children must be accompanied by an adult.
- Don't swim when using alcohol or drugs.
- Be familiar with the pool before swimming.
- No running, jumping, or horseplay in or around pool.
- No glass in pool area.



TO AVOID SERIOUS INJURY ALL POOL USERS MUST KNOW AND FOLLOW THESE SAFETY RULES.

English



INTEX

For Residents of the U.S. & Canada:

INTEX RECREATION CORP.

Attn: Consumer Service

14779 Bar Harbor Road

Fontana, CA 92336

Phone: 1-800-234-6839

Fax: (310) 549-2900

Consumer Service Hours:

8:30 am to 5:00 pm Pacific time

Monday thru Friday only

Website: www.intexcorp.com

For Residents outside of the U.S. and Canada:

Please refer to the Service Center Locations

©2008 Intex Marketing Ltd. - Intex Development Co. Ltd. -
Intex Trading Ltd. - Intex Recreation Corp.

All rights reserved/Tous droits réservés/Todos los
derechos reservados/Alle Rechte vorbehalten.

Printed in China/Imprimé en Chine/Impreso en
China/Gedruckt in China.

®™ Trademarks used in some countries of the world under
license from/®™ Marques utilisées dans certains pays sous
licence de/Marcas registradas utilizadas en algunos países
del mundo bajo licencia de/Warenzeichen verwendet in
einigen Ländern der Welt in Lizenz von/**Intex Marketing Ltd.**
to/à/a/an Intex Trading Ltd., Intex Development Co. Ltd.,
G.P.O Box 28829, Hong Kong & Intex Recreation Corp.,
P.O. Box 1440, Long Beach, CA 90801 • Distributed in the
European Union by/Distribué dans l'Union Européenne
par/Distribuido en la unión Europea por/Vertrieb in der
Europäischen Union durch/**Intex Trading B.V., P.O. Box nr.**
1075 - 4700 BB Roosendaal - The Netherlands

